

# Solar Inverter

DASS, Symbol of reliability for solar inverter

## DASS 35 i

Grid-connected Photovoltaic Inverter  
3.5kW Residential string-type



# DASS 3.5i, 3.5kW / DSP-123K6-OD\_JB

The newest version of  
residential inverter of DASS Tech



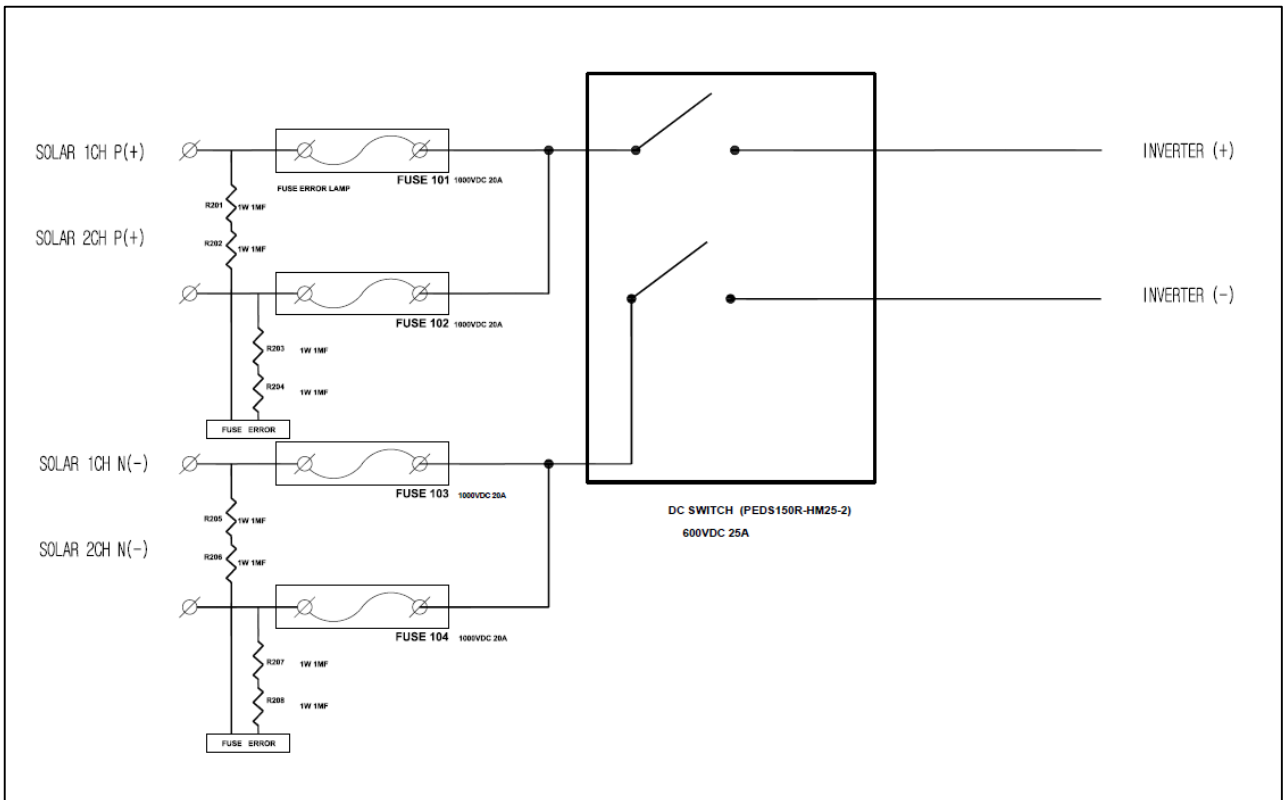
## Technical Datasheet

MODEL		DASS 3.5i
Input (DC)	Max. PV input voltage (Voc)	500Vdc
		160Vdc
	Startup voltage (Voc)	100–500Vdc
	MPP voltage range (Vmp)	200–400Vdc
	MPP voltage range for nominal power (Vmp)	1
	No. of MPPT	1
	Max. number of PV strings per MPPT	18A
	Max. PV input current	9A / 9A
Output (AC)	Nominal AC output power	3.5kW
	Max. AC apparent power	3500 VA
	Max. AC output current	15.9 A
	Normal AC voltage	220V / 230V (2PE +PE)
	AC voltage range	170–270V
	Nominal grid frequency	50Hz / 60Hz (Tolerance adjustable)
	Grid frequency range	47.5 ~ 52.5 / 57.5 ~ 62.5Hz
	Total harmonic distortion(THD)	< 3% at nominal power
	DC current injection	-
	Power factor	> 0.9 (default value at nominal power), adj. 0.8 leading ~ 0.8 lagging
System Data	Max. efficiency	0.972
	Euro. Efficiency	0.967
	Isolation method	Transformerless
	Ingress protection rating	IP65 (for electronics)
	Night power consumption	< 1W
	Operation ambient temperature range	-25°C – 60°C ( > 50°C derating)
	Allowable relative humidity range	0 ~ 95%
	Cooling method	Natural air cooling
	Max. operating altitude	< 2000m
	Display	Character LCD
	communication	RS485 *
	DC connection type	Screw clamp terminal,
	AC connection type	AC connector type
	Protection Method	DC reverse polarity, Ground fault, DC Over Voltage, Over load, Over heat, AC short circuit, AC Over/under voltage, Over/under frequency, Anti-islanding
General Data	Dimensions (W/H/D)mm	358 X 376 X 150
	Mounting method	Wall mounting
	Weight	9kg

## Parallel installation reference



## Block Diagram





# **i**nnovation for Solar **i**nverter

Let's make the world more beautiful  
and lovely, together

[www.dasstech.com](http://www.dasstech.com)

---

## **Head-Quarter**

109, Yangcheongsongdae-gil, Ochang-eup, Cheongwon-gu, Cheongju-si, Chungbuk, 28118 Korea

**Tel** +82 43 218 5670 **Fax** +82 43 218 5671

---

## **Overseas Division**

8<sup>th</sup> floor, Hyunjuk Bldg. Yeoksam-ro 114, Gangnam-gu, Seoul, 06252 Korea

**Tel** +82 43 218 5670 **Fax** +82 43 218 5671

---

## **GM Energy - Thailand Branch**

163 Rajapark Bldg. 14<sup>nd</sup> FL, Soi Sukhumvit 21 Sukhumvit Rd, Klongtoey-nua, Wattana, Bangkok-10110, Thailand

**Tel** +66 2 260 6282 **Fax** +66 2 260 6280